

SINGER

104

BUYER'S MODEL NO. 104

FACTORY MODEL CA19160

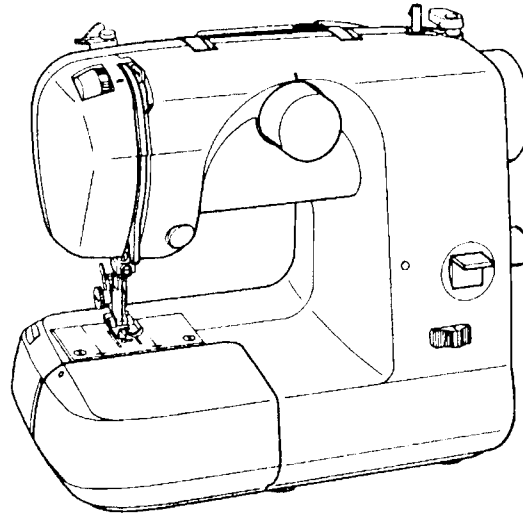
ORIGINAL ISSUE

October, 1998

SECTION —

REFER TO IMPORTANT NOTICE BELOW

PARTS LIST
FOR
featherweight
Model 104

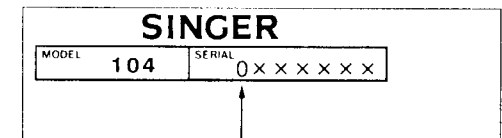


SINGER

IMPORTANT:

WHEN ORDERING THE PARTS ALWAYS CHECK THE SERIAL NUMBER OF THE MACHINE.

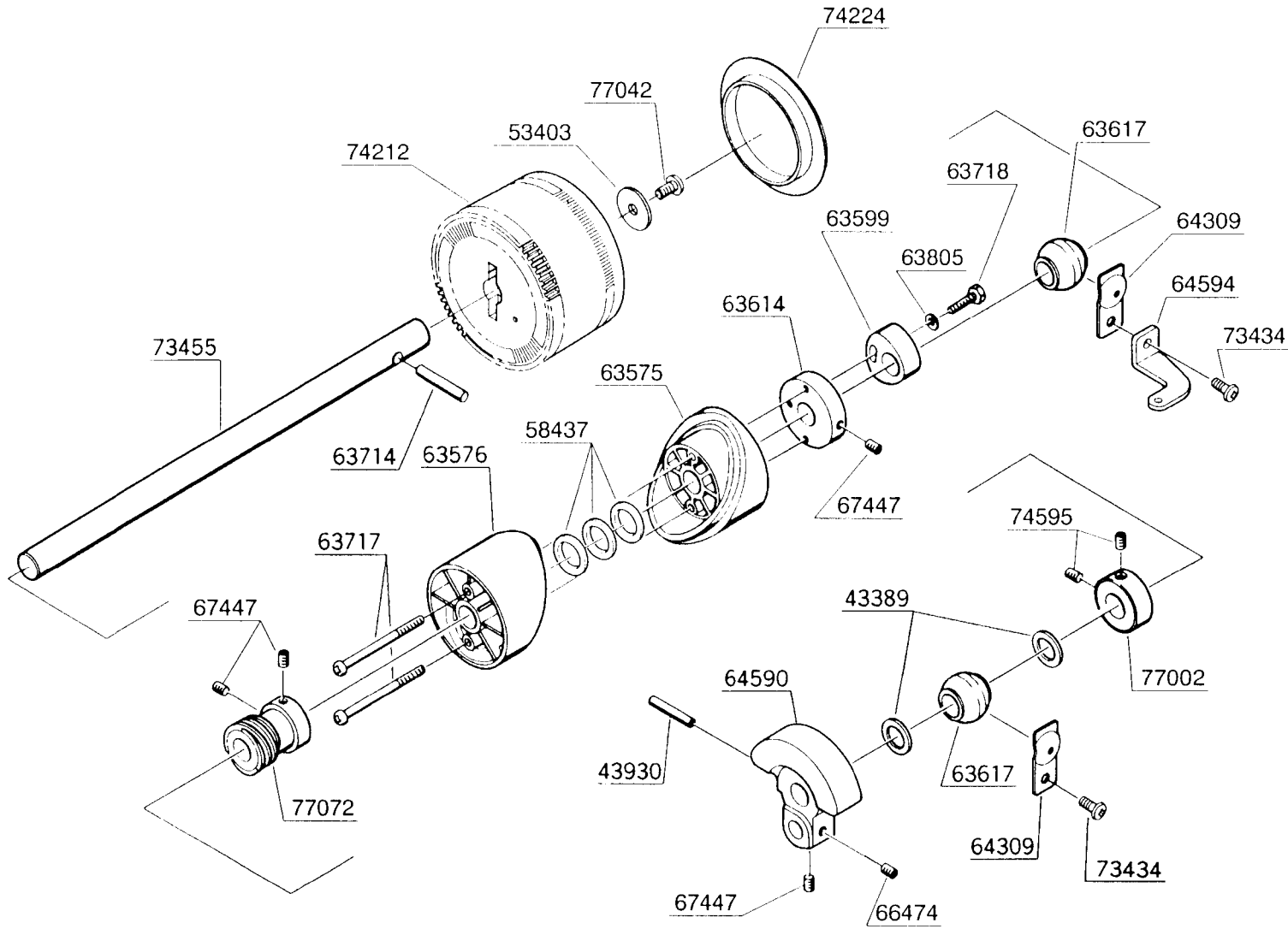
FIRST DIGIT OF THE SERIAL NUMBER MUST MATCH WITH THE LAST DIGIT OF THE FACTORY MODEL ABOVE.



FIRST DIGIT

Printed in the U.S.A. by Diamond Needle Corp

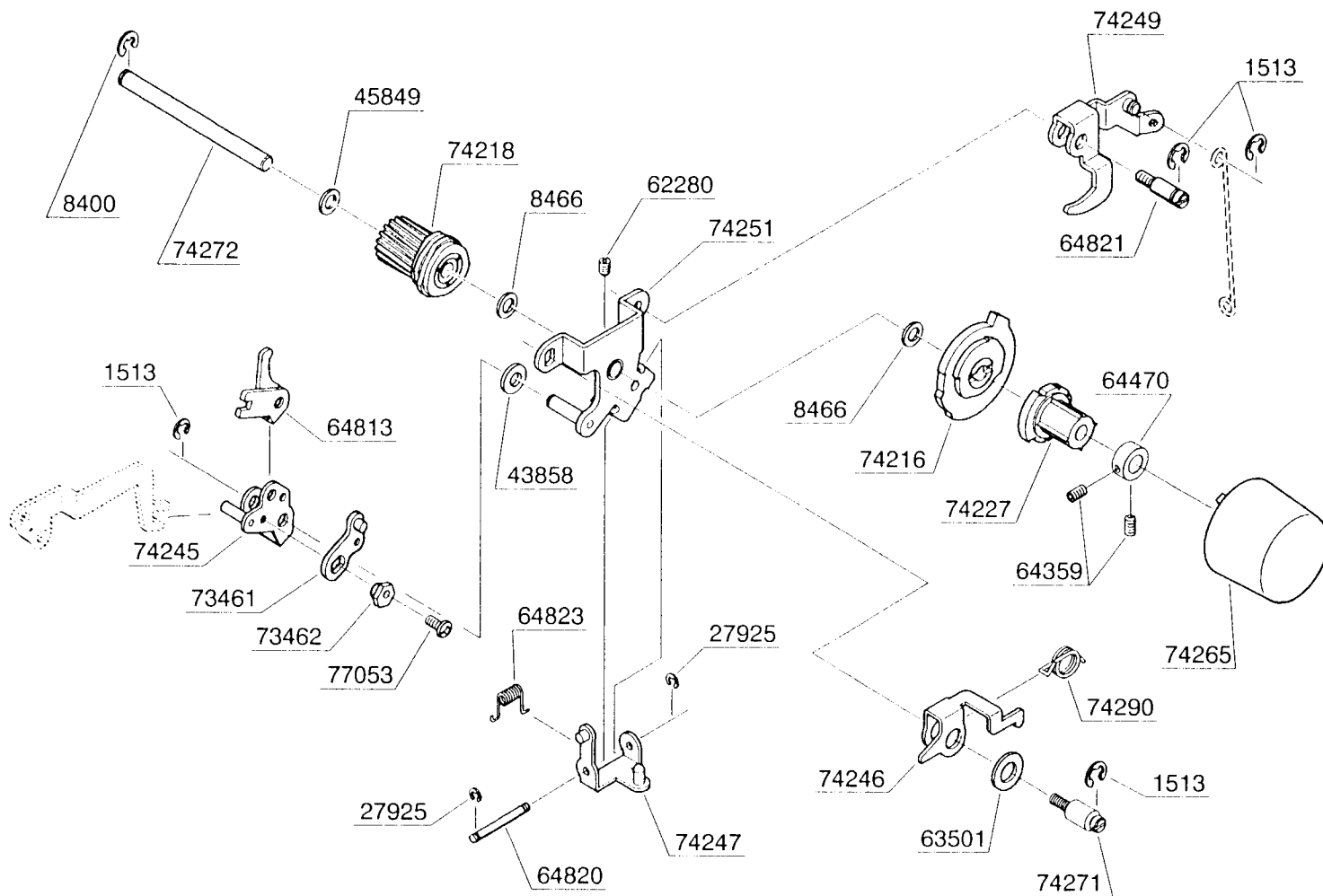
BUYER'S MODEL NO.	104	SECTION	PAGE	REVISION	REMARKS	PART NO.	DESCRIPTION
BUYER'S MODEL NAME	SINGER 104	—	1			43389	THRUST WASHER
FACTORY MODEL	CA19160					43930	SPRING PIN
ORIGINAL ISSUE	October, 1998	SERIAL NO.				53403	WASHER
						58437	WASHER
						63575	CAM A



43389	THRUST WASHER
43930	SPRING PIN
53403	WASHER
58437	WASHER
63575	CAM A
63576	CAM B
63599	FEED CAM
63614	CAM BASE
63617	BALL BUSHING
63714	SPRING PIN
63717	M3 PHILIPS SCREW
63718	M3.5 SCREW
63805	WASHER
64309	SECURING PLATE
64590	BALANCE CAM
64594	HOOK FOR SPRING
66474	M5 SCREW
67447	M5 SCREW
73434	M4 PHILIPS SCREW
73455	MAIN SHAFT
74212	PULLEY
74224	PULLEY CAP
74595	M5 SCREW
77002	COLLAR
77042	M4 PHILIPS SCREW
77072	SPIRAL GEAR

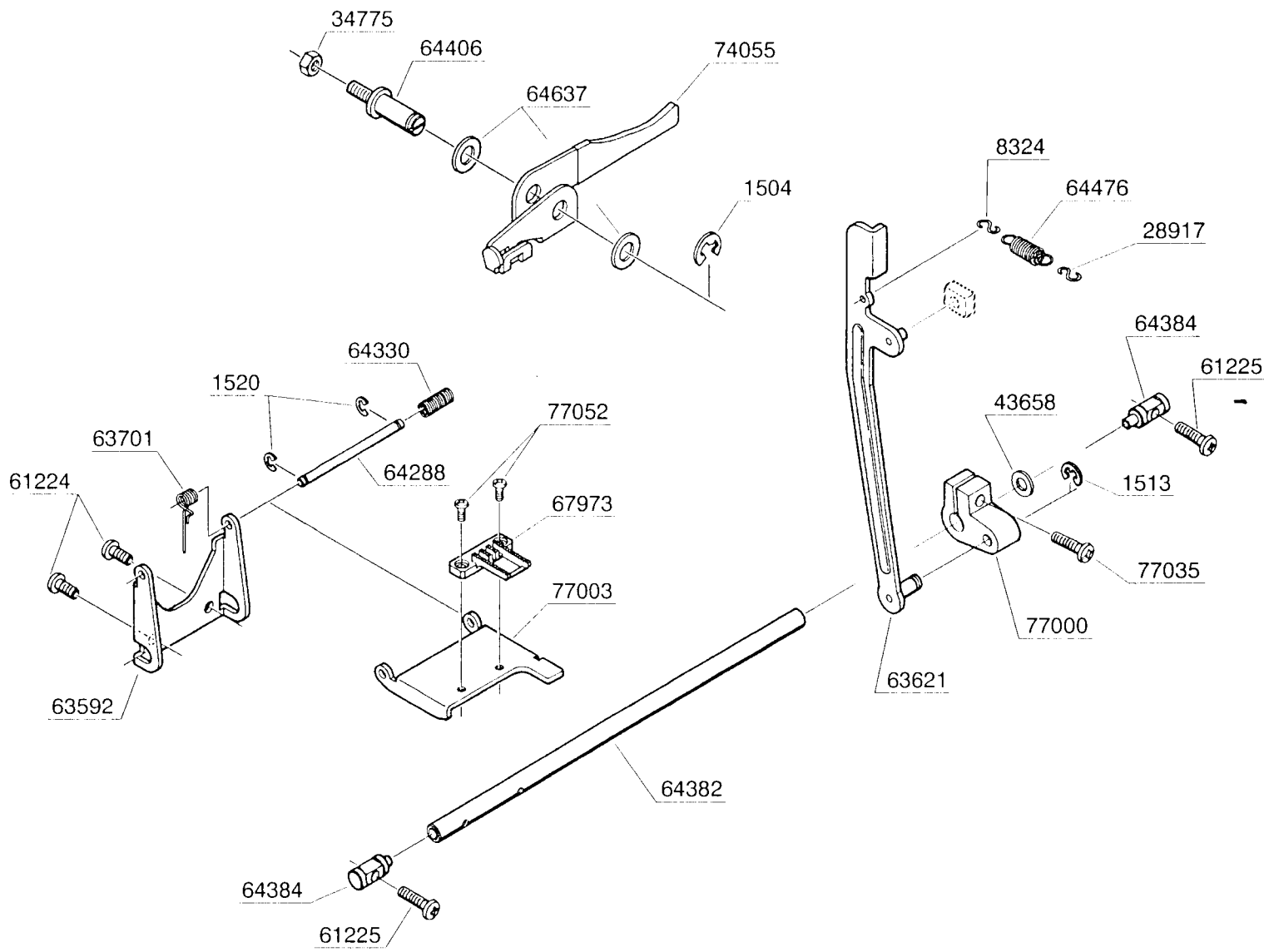
From the library of: Diamond Needle Corp

BUYER'S MODEL NO.	104	SECTION	PAGE	REVISION	REMARKS	PART NO.	DESCRIPTION
BUYER'S MODEL NAME	SINGER 104	—	3			1513	E4 CLIP-ON-WASHER
FACTORY MODEL	CA19160						8400
ORIGINAL ISSUE	October, 1998	SERIAL NO.				8466	WASHER
						27925	E2.5 CLIP-ON-WASHER
						43858	WASHER



PART NO.	DESCRIPTION
1513	E4 CLIP-ON-WASHER
8400	E5 CLIP-ON-WASHER
8466	WASHER
27925	E2.5 CLIP-ON-WASHER
43858	WASHER
45849	WASHER
62280	M4 SCREW
63501	WASHER
64359	M4 SCREW
64470	COLLAR
64813	ZIGZAG FOLLOWER
64820	SHAFT
64821	STUD
64823	TORSION SPRING
73461	ADJUSTING PLATE
73462	ADJUSTING NUT
74216	PATTERN SELECT CAM
74218	ZIGZAG CAM WITH GEAR
74227	NOTCH CAM
74245	FOLLOWER SUPPORT
74246	NOTCH LEVER
74247	PATTERN SELECT ARM
74249	BUTTONHOLE LENGTH CONTROL FOLLOWER
74251	CAM MOUNTING BRACKET
74265	ZIGZAG DIAL
74271	STUD
74272	SHAFT
74290	TORSION SPRING
77053	M3 PHILIPS SCREW

BUYER'S MODEL NO.	104	SECTION	PAGE	REVISION	REMARKS	PART NO.	DESCRIPTION
BUYER'S MODEL NAME	SINGER 104	—	4			1504	E7 CLIP-ON-WASHER
FACTORY MODEL	CA19160					1513	E4 CLIP-ON-WASHER
ORIGINAL ISSUE	October, 1998	SERIAL NO.				1520	E3 CLIP-ON-WASHER
						8324	HOOK FOR SPRING
						28917	HOOK FOR SPRING



- 34775 M5 NUT
- 43658 THRUST WASHER
- 61224 M4 PHILIPS SCREW
- 61225 M4 PHILIPS SCREW
- 63592 FEED ARM A

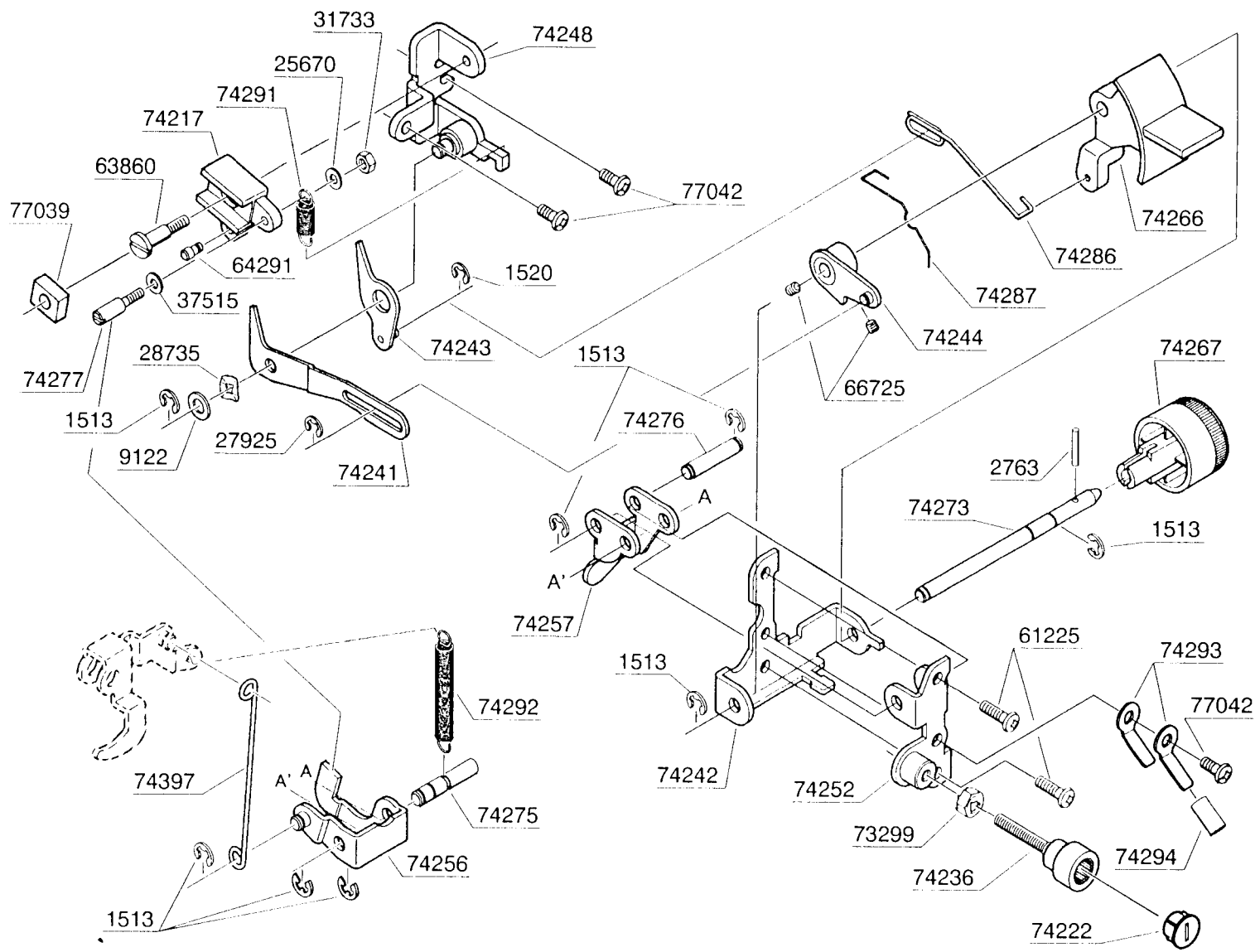
- 63621 FEED OPERATING LEVER
- 63701 TORSION SPRING
- 64288 SHAFT
- 64330 COMPRESSION SPRING
- 64382 FEED REGULATING SHAFT

- 64384 CENTER PIN
- 64406 M4 STUD SCREW
- 64476 EXTENSION SPRING
- 64637 THRUST WASHER
- 67973 FEED DOG

- 74055 FEED LIFTING LEVER
- 77000 FEED ARM B
- 77003 FEED BASE
- 77035 M4 PHILIPS SCREW
- 77052 #9 PHILIPS SCREW

From the library of www.sewingmachines.com

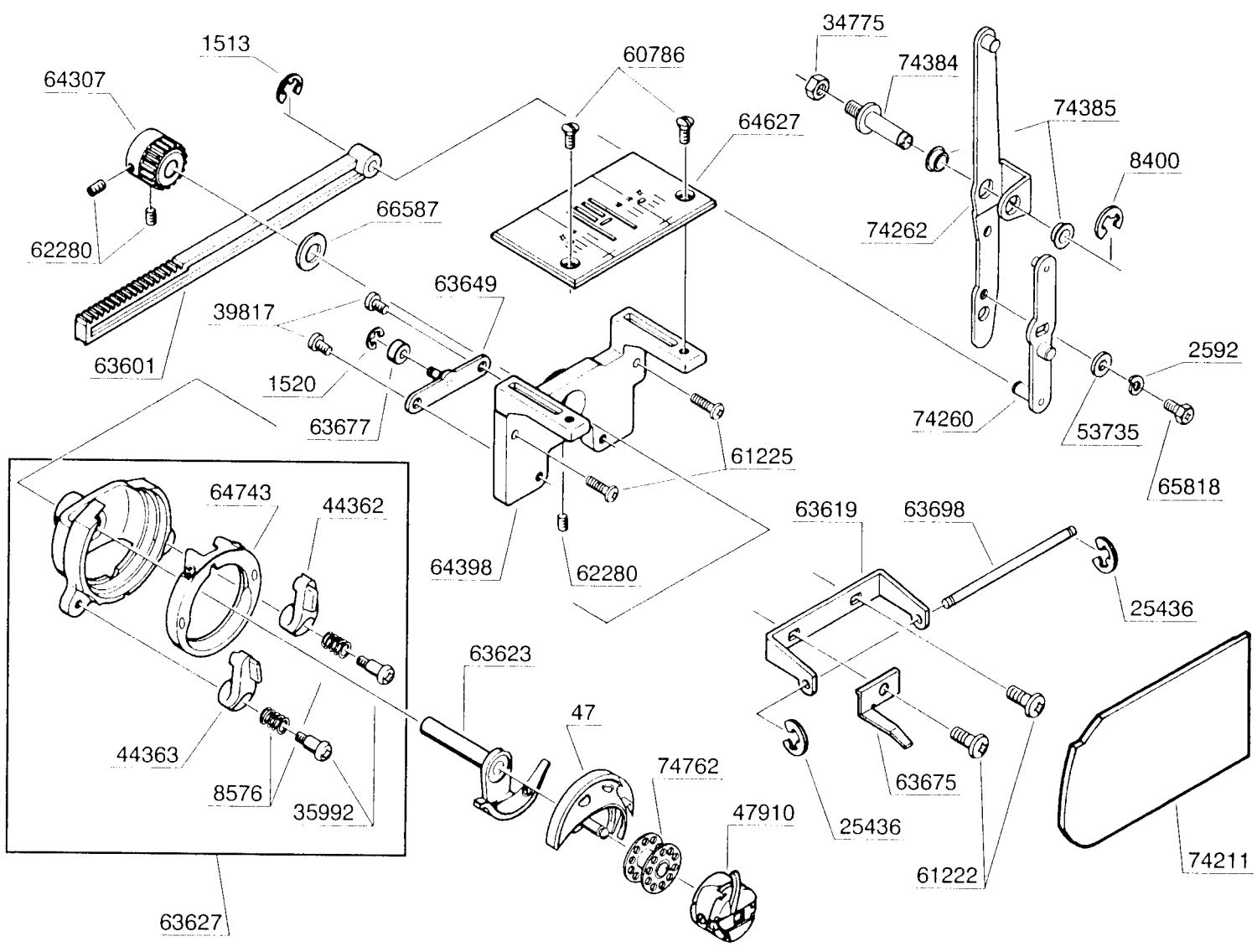
BUYER'S MODEL NO.	104	SECTION	PAGE	REVISION	REMARKS	PART NO.	DESCRIPTION
BUYER'S MODEL NAME	SINGER 104	—	5			1513	E4 CLIP-ON-WASHER
FACTORY MODEL	CA19160					1520	E3 CLIP-ON-WASHER
ORIGINAL ISSUE	October, 1998	SERIAL NO.				2763	PIPE KNOCK PIN
						9122	WASHER
						25670	WASHER



- 27925 E2.5 CLIP-ON-WASHER
- 28735 CRINKLE WASHER
- 31733 M3 NUT
- 37515 WASHER
- 61225 M4 PHILIPS SCREW
- 63860 M4 STUD SCREW
- 64291 PIN
- 66725 M4 SCREW
- 73299 M4 TORQUE NUT
- 74217 FEED REGULATOR
- 74222 BUTTONHOLE LENGTH CONTROL KNOB
- 74236 BUTTONHOLE ADJUSTABLE SCREW
- 74241 FEED LEVER
- 74242 KNOB MOUNTING BRACKET
- 74243 REVERSE CONTROL LEVER
- 74244 STITCH LENGTH CONTROL ARM
- 74248 FEED REGULATOR BASE
- 74252 BUTTONHOLE LENGTH CONTROL BASE
- 74256 BUTTONHOLE LENGTH CONTROL PLATE (A)
- 74257 BUTTONHOLE LENGTH CONTROL PLATE (B)
- 74266 REVERSE LEVER
- 74267 LENGTH CONTROL KNOB
- 74273 SHAFT
- 74275 SHAFT
- 74276 SHAFT
- 74277 STUD
- 74286 CONNECTING WIRE
- 74287 WIRE SPRING
- 74291 EXTENSION SPRING
- 74292 EXTENSION SPRING
- 74293 SPRING PLATE
- 74294 VINYL TUBE
- 74397 B.H. ROD
- 77039 SLIDE BLOCK
- 77042 M4 PHILIPS SCREW

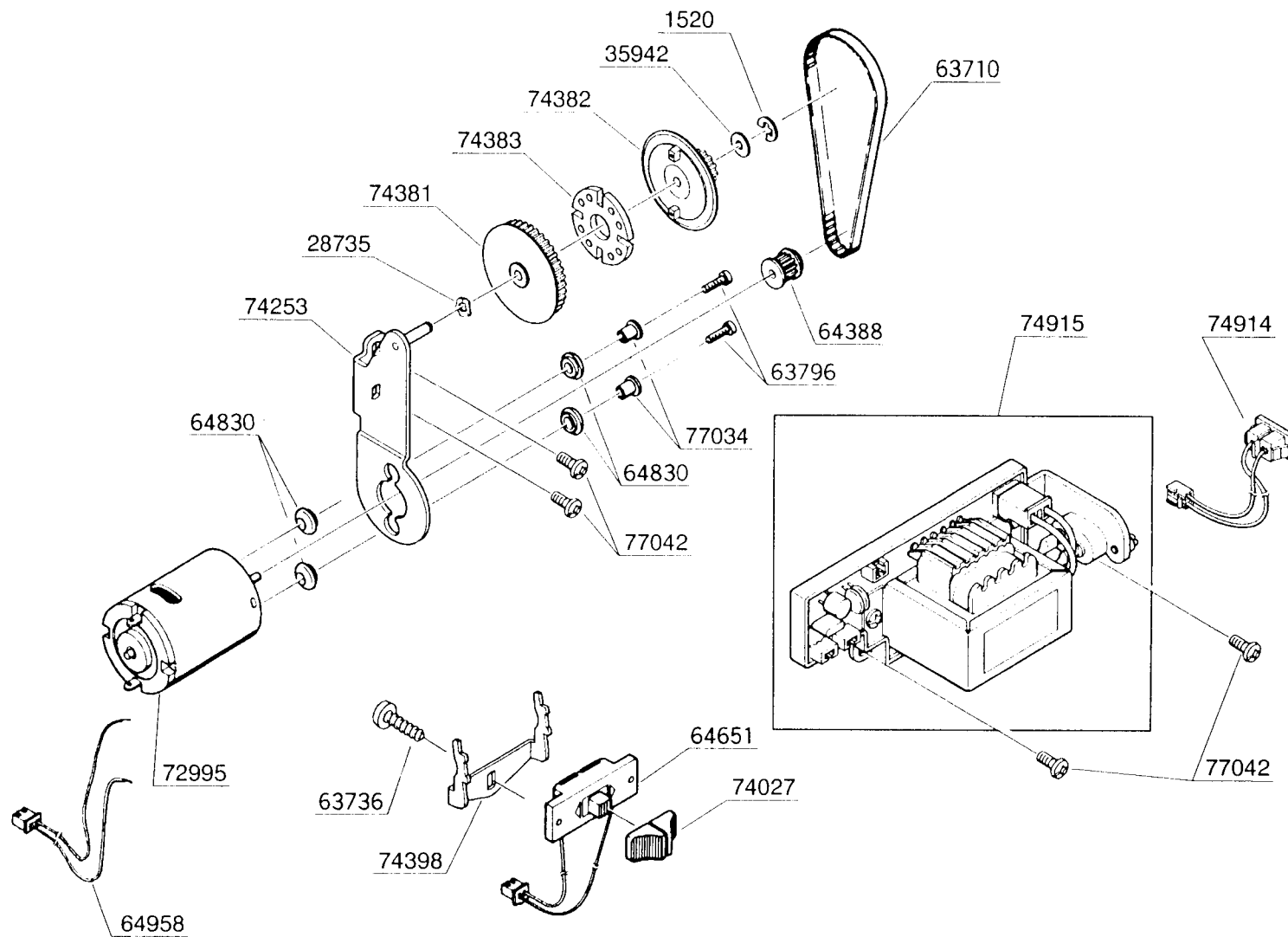
File this info. in the Case

BUYER'S MODEL NO.	104	SECTION	PAGE	REVISION	REMARKS	PART NO.	DESCRIPTION
BUYER'S MODEL NAME	SINGER 104	—	6			47	SHUTTLE HOOK
FACTORY MODEL	CA19160					1513	E4 CLIP-ON-WASHER
ORIGINAL ISSUE	October, 1998	SERIAL NO.				1520	E3 CLIP-ON-WASHER
						2592	SPRING WASHER
						8400	E5 CLIP-ON-WASHER



8576	COMPRESSION SPRING
25436	E2 CLIP-ON-WASHER
34775	M5 NUT
35992	STUD SCREW
39817	M4 PHILIPS SCREW
44362	SHUTTLE RACE HINGED LATCH
44363	SHUTTLE RACE HINGED LATCH
47910	BOBBIN CASE
53735	WASHER
60786	M4 SCREW
61222	M4 PHILIPS SCREW
61225	M4 PHILIPS SCREW
62280	M4 SCREW
63601	RACK
63619	COVER HINGE
63623	SHUTTLE DRIVER
63627	SHUTTLE RACE COMPLETE
63649	ROLLER BASE
63675	SPRING PLATE
63677	ROLLER
63698	SHAFT
64307	GEAR
64398	SHUTTLE RACE BASE
64627	NEEDLE PLATE
64743	SHUTTLE RACE COVER
65818	M4 BOLT
66587	THRUST WASHER
74211	SHUTTLE COVER
74260	SHUTTLE DRIVING ARM
74262	SHUTTLE DRIVING LEVER
74384	STUD
74385	BUSH
74762	BOBBIN

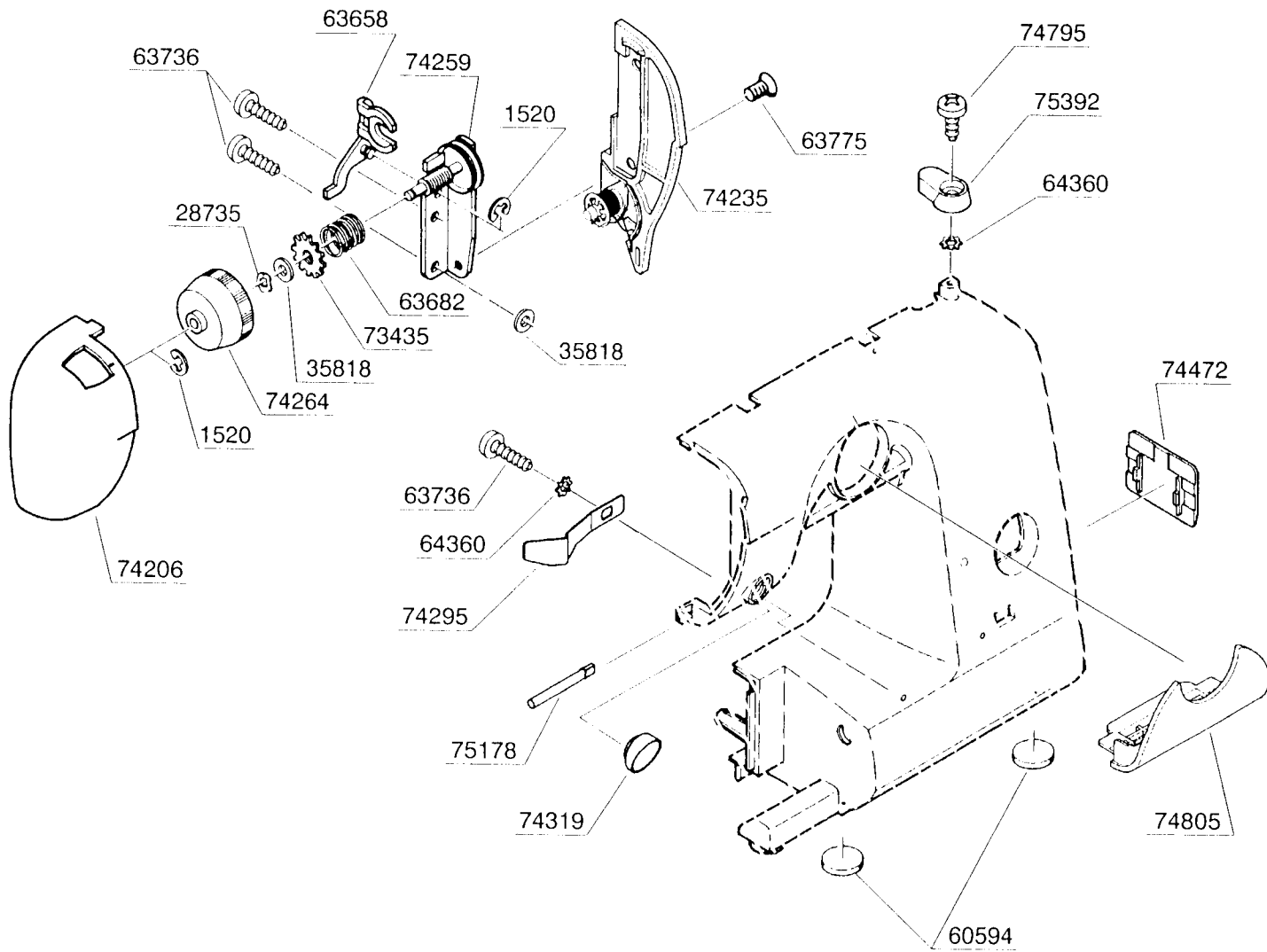
BUYER'S MODEL NO.	104	SECTION	PAGE	REVISION	REMARKS	PART NO.	DESCRIPTION
BUYER'S MODEL NAME	SINGER 104	—	7			1520	E3 CLIP-ON-WASHER
FACTORY MODEL	CA19160					28735	CRINKLE WASHER
ORIGINAL ISSUE	October, 1998	SERIAL NO.				35942	THRUST WASHER
						63710	TIMING BELT
						63736	TAPPING SCREW



63796	M3 SCREW
64388	MOTOR PULLEY
64651	SWITCH
64830	RUBBER BUSH
64958	CORD ASSY
72995	MOTOR (230-240V)
74027	SWITCH KNOB
74253	MOTOR BRACKET
74381	IDLER PULLEY
74382	IDLER GEAR
74383	CUSHION
74398	SWITCH BRACKET
74914	INLET
74915	PRINTED CIRCUIT BOARD ASSEMBLY (230V)
77034	BUSH
77042	M4 PHILIPS SCREW

From the library of: Dimpled Net (1998)

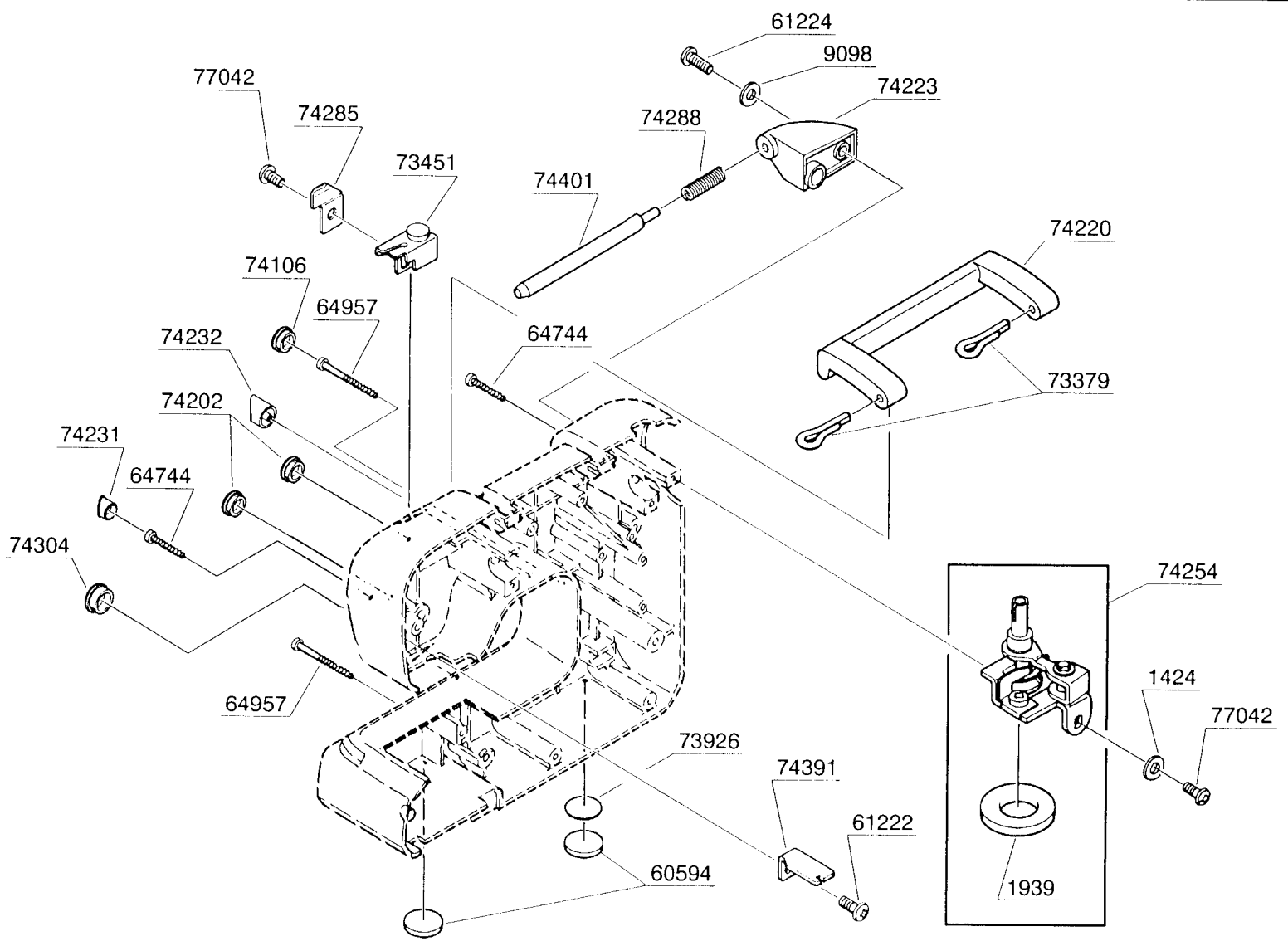
BUYER'S MODEL NO.	104	SECTION	PAGE	REVISION	REMARKS	PART NO.	DESCRIPTION
BUYER'S MODEL NAME	SINGER 104	—	8			1520	E3 CLIP-ON-WASHER
FACTORY MODEL	CA19160						28735
ORIGINAL ISSUE	October, 1998	SERIAL NO.				35818	WASHER
						60594	RUBBER CUSHION
						63658	TENSION RELEASE LEVER



- 63682 COMPRESSION SPRING
- 63736 TAPPING SCREW
- 63775 M4 SCREW
- 64360 TOOTHED WASHER
- 73435 TOOTHED WASHER
- 74206 FACE COVER
- 74235 TENSION SPRING UNIT
- 74259 THREAD TENSION DISC UNIT
- 74264 THREAD TENSION DIAL (GRAY)
- 74295 SPRING PLATE
- 74319 CAP
- 74472 SWITCH COVER
- 74795 TAPPING SCREW
- 74805 CONTROL PLATE
- 75178 PIN
- 75392 BOBBIN WINDER LATCH

From the library of: Diamond Needle Co.

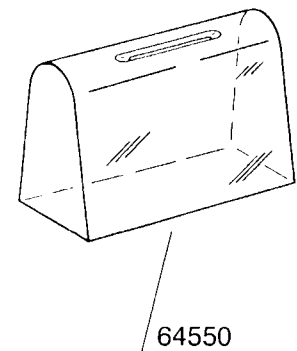
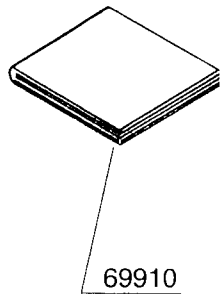
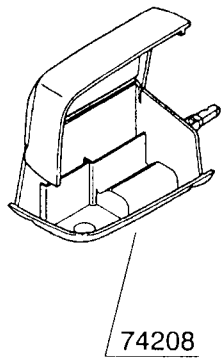
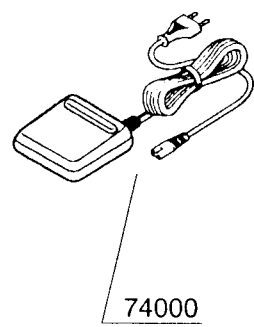
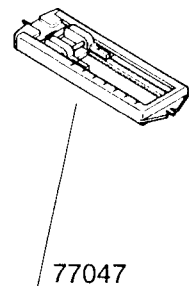
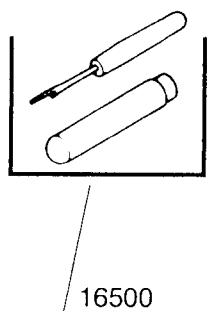
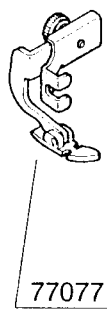
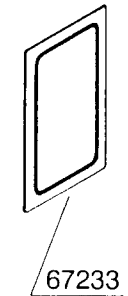
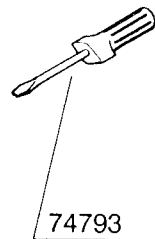
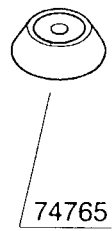
BUYER'S MODEL NO.	104	SECTION	PAGE	REVISION	REMARKS	PART NO.	DESCRIPTION
BUYER'S MODEL NAME	SINGER 104	—	9			1424	WASHER
FACTORY MODEL	CA19160					1939	RUBBER RING
ORIGINAL ISSUE	October, 1998	SERIAL NO.				9098	WASHER
						60594	RUBBER CUSHION
						61222	M4 PHILIPS SCREW



61224	M4 PHILIPS SCREW
64744	TAPPING SCREW
64957	TAPPING SCREW
73379	SPLIT PIN
73451	THREAD GUIDE
73926	SPACER
74106	ARM CAP
74202	ARM CAP
74220	HANDLE
74223	SPOOL STAND
74231	ARM CAP
74232	ARM CAP
74254	BOBBIN WINDER
74285	THREAD GUIDE
74288	TORSION SPRING
74304	ARM CAP
74391	FACE COVER GUIDE
74401	SPOOL PIN
77042	M4 PHILIPS SCREW

From the array of: [Singer and Needle Corp](#)

BUYER'S MODEL NO.	104	SECTION	PAGE	REVISION	REMARKS	PART NO.	DESCRIPTION
BUYER'S MODEL NAME	SINGER 104	—	10			16500	BUTTONHOLE OPENER
FACTORY MODEL	CA19160						64550
ORIGINAL ISSUE	October, 1998	SERIAL NO.				67233	NEEDLE SET
						69910	BOOK
						74000	FOOT SWITCH



74208	ACCESSORY BOX
74762	BOBBIN
74765	SPOOL PIN CAP
74793	SMALL SCREW DRIVER
77047	BUTTONHOLE GUIDE
77077	HINGED ZIPPER FOOT

From the library of: Diamond Needle Corp